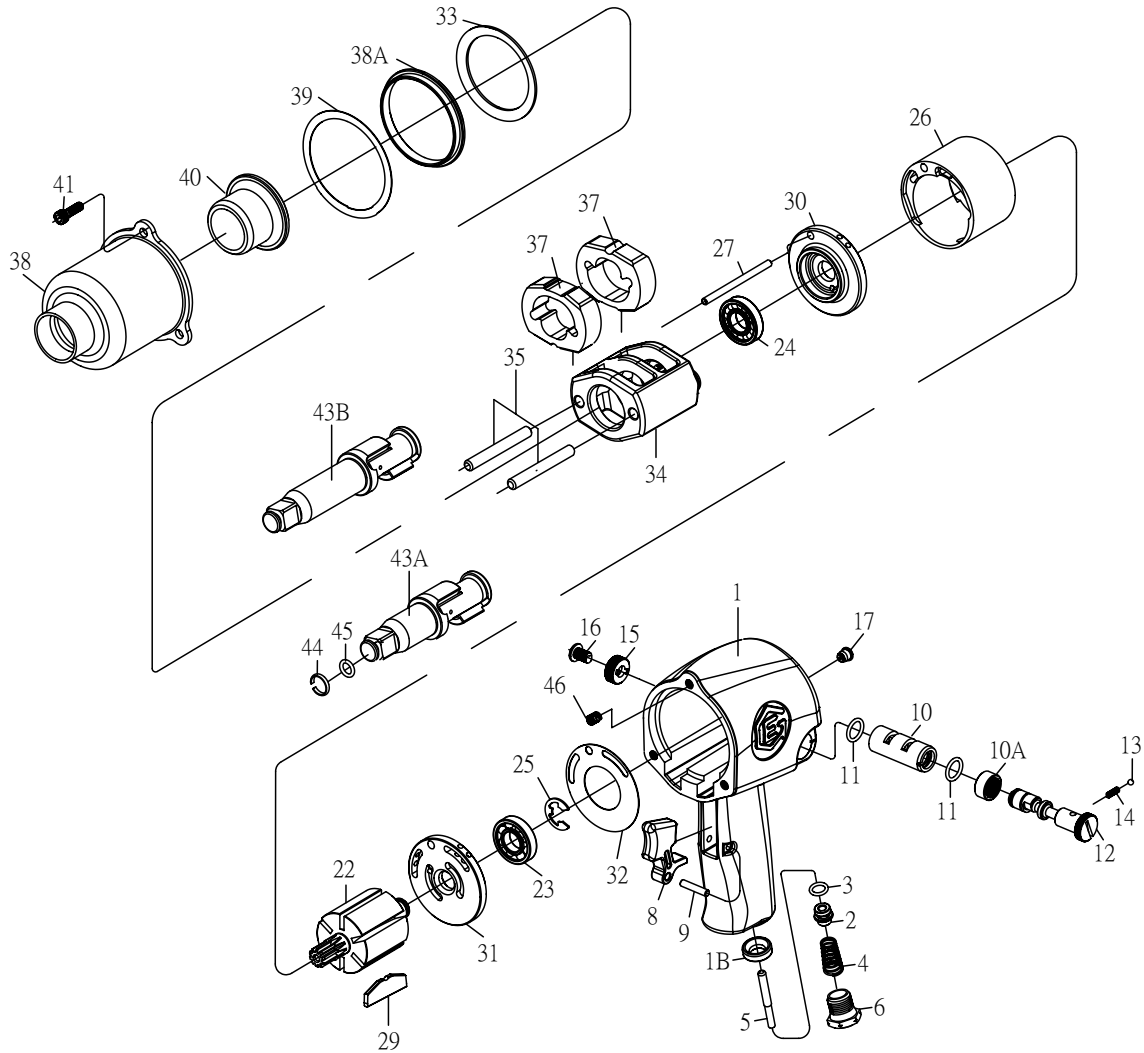




# 1/2" Drive Super Duty Air Impact Wrench



## Parts List : 400500, 400502

2012.02

No.	Parts No.	Description	Q'ty
1	045001	Motor Housing	1 Set
1B	045001B	Throttle Valve Seat	
2	045002	Throttle Valve	1
3	045003	Throttle Valve Face	1
4	045004	Throttle Valve Spring	1
5	045005	Throttle Valve Stem	1
6	045006	Hose Fitting	1
8	045008	Trigger	1
9	045009	Trigger Pin	1
10	045010	Valve Sleeve	1 Set
10A	045010A	Reverse Valve Bushing Gear	
11	045011	Reverse Valve Bushing Seal	2
12	045012	Reverse Valve	1
13	045013	Steel Ball	1
14	045014	Spring	1
15	045015	Reverse Valve Knob	1
16	045016	Reverse Valve Knob Screw	1
17	045017	Grease Fitting	1
22	045022	Rotor	1
23	045023	Rear Rotor Bearing	1
24	045024	Front Rotor Bearing	1
25	045025	E-Ring	1

No.	Parts No.	Description	Q'ty
26	045026	Cylinder	1
27	045027	Cylinder Pin	1
29	045029	Rotor Blade	6
30	045030	Front End Plate	1
31	045031	Rear End Plate	1
32	045032	End Plate Gasket	1
33	045033	Motor Clamp Washer	2
34	045034	Hammer Frame	1
35	045035	Hammer Pin	2
37	045037	Hammer	2
38	045038	Hammer Case	1
38A	045038A	Hammer Case Pilot	1
39	045039	Hammer Case Gasket	1
40	045040	Anvil Bushing	1
41	045041	Cap Screw	3
43A	045043A	Standard Anvil ( for 400500 )	1
43B	045043B	2" Extended Anvil ( for 400502 )	1
44	045044	Socket Retainer	1
45	045045	O-Ring	1
46	045046	Heli-Coil	3
TK	0450TK	Tune-Up Kit ( Includes Illustrated 3.4.11(2)25.29(6).32.39.44.45 )	1 Set